

SPIERINGS SK599 AT5



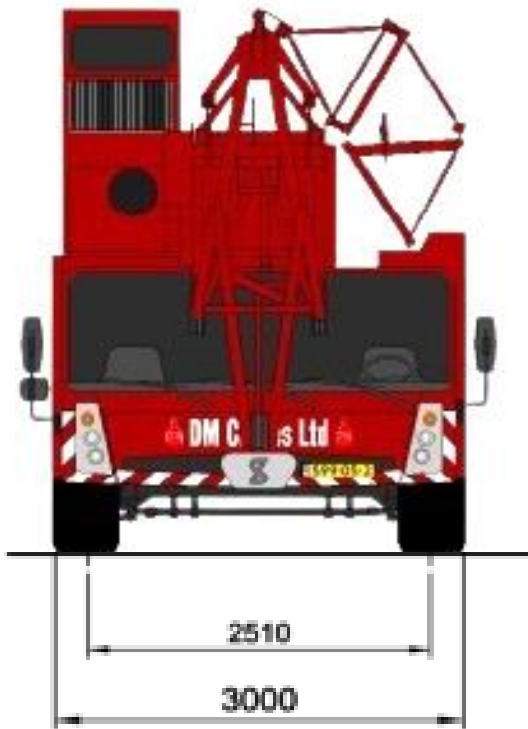
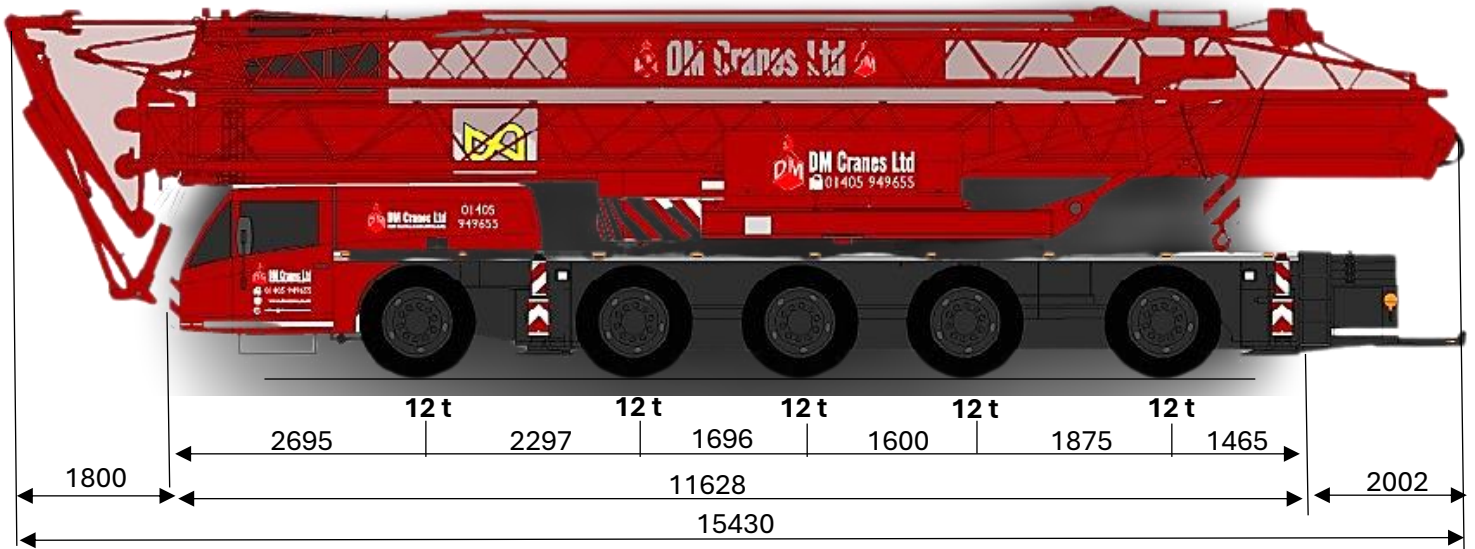
DM Cranes Ltd

MOBILE TOWER CRANES

www.dmcranes.co.uk

SPIERINGS HYDRAULIC FOLDING CRANE

SPIERINGS HYDRAULIC FOLDING CRANE



SPIERINGS
MOBILE CRANES
Merwedestraat 15
5347 KZ Oss NL
Tel. +31 (0)412-626964
Fax +31 (0)412-645299
www.spieringcranes.com
102-00599102

Total weight: 60000 kg

Tel: 03330 912002 | **Email:** office@dmcranes.co.uk

Northerndepot | Southern depot

SPIERINGS SK599 AT5



DM Cranes Ltd

MOBILE TOWER CRANES

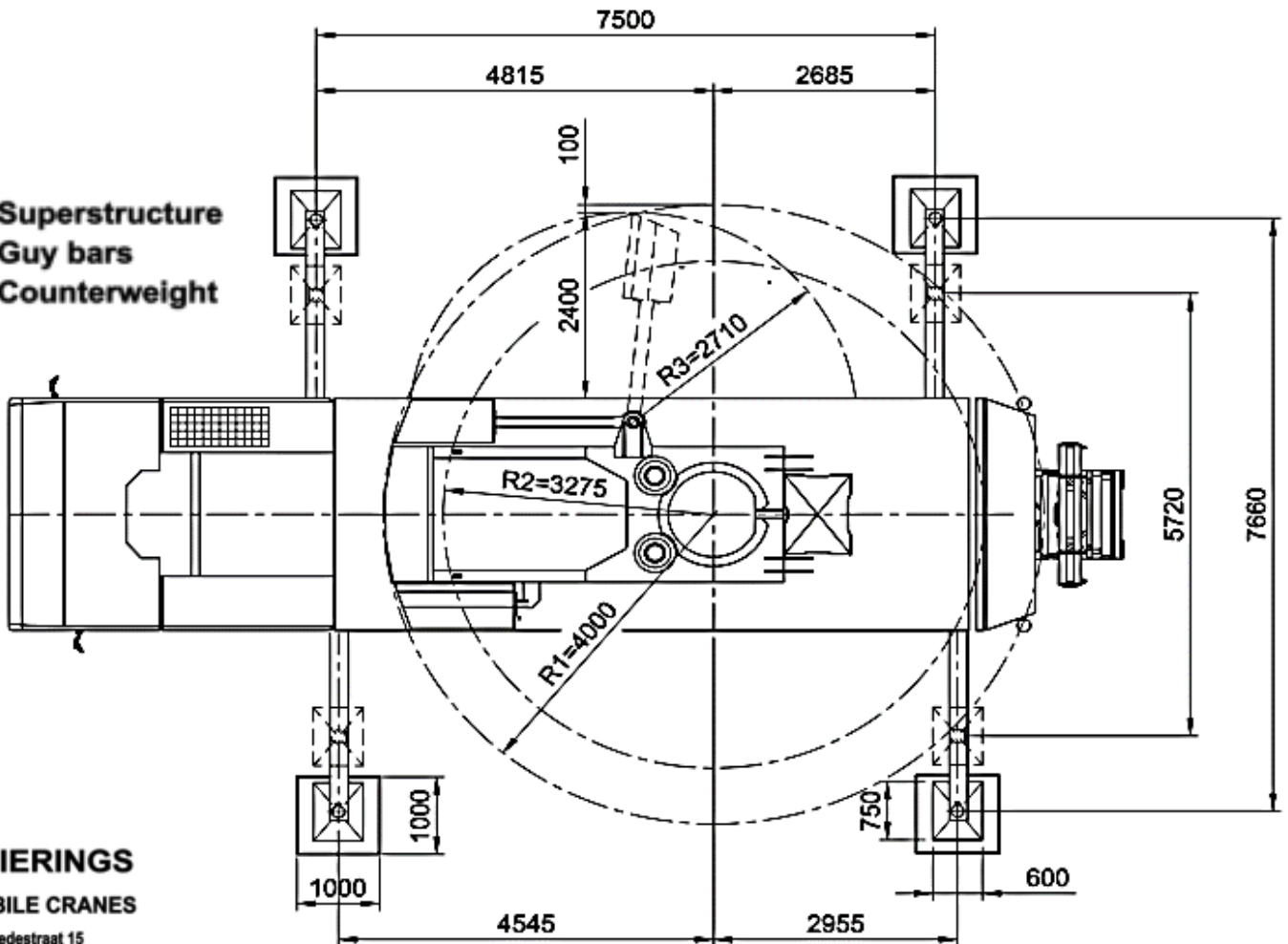
www.dmcranes.co.uk

Outrigger support base	
Max. outrigger force	440 kN
Outrigger support pads	750x600 mm
Ground pressure	1,00 N/mm ²
Outrigger support plates	1000x1000 mm
Surface	1,00 m ²
Ground pressure	0,44 N/mm ²

SPIERINGS HYDRAULIC FOLDING CRANE

SPIERINGS HYDRAULIC FOLDING CRANE

- R1 : Superstructure
- R2 : Guy bars
- R3 : Counterweight



SPIERINGS
MOBILE CRANES
Merwedestraat 15
5347 KZ Oss NL
Tel. +31 (0)412-626964
Fax +31 (0)412-645299
www.spieringscranes.com

Specifications subject to change

Tel: 03330 912002 | Email: office@dmcranes.co.uk

Northern depot | Southern depot

SPIERINGS SK599 AT5



DM Cranes Ltd

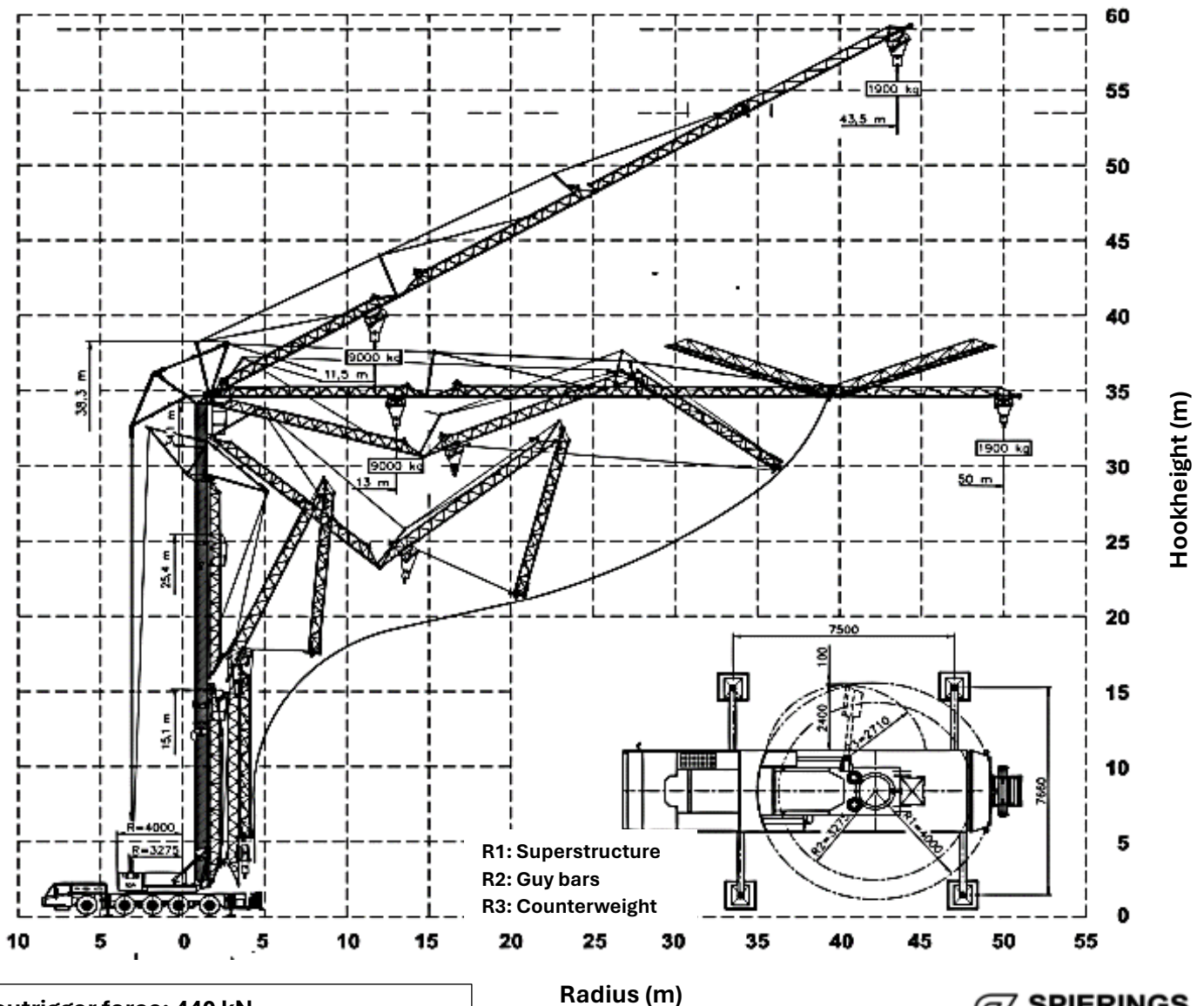
MOBILE TOWER CRANES

www.dmcranes.co.uk

SPIERINGS HYDRAULIC FOLDING CRANE

SPIERINGS HYDRAULIC FOLDING CRANE

Erection procedure of the crane



Max. outrigger force: 440 kN

Outrigger support pads: 750x600 mm

Ground pressure: 1,00 N/mm²

Jib can be unfolded through 360°

Luffing the jib 30° can be controlled from the crane cab or remote control

Radius (m)

Outrigger support plates:

1000x1000 mm

Surface: 1,00 m²

Ground pressure: 0,44 N/mm²

SPIERINGS
MOBILE CRANES

Merwedestraat 15
5347 KZ Oss NL
Tel. +31 (0)412-626964
Fax +31 (0)412-645299
www.spieringscranes.com

SPIERINGS SK599 AT5



DM Cranes Ltd

MOBILE TOWER CRANES

www.dmcranes.co.uk

SPIERINGS HYDRAULIC FOLDING CRANE

SPIERINGS HYDRAULIC FOLDING CRANE

Hoisting Specifications

Outrigger support base

7,50 m x 7,66 m



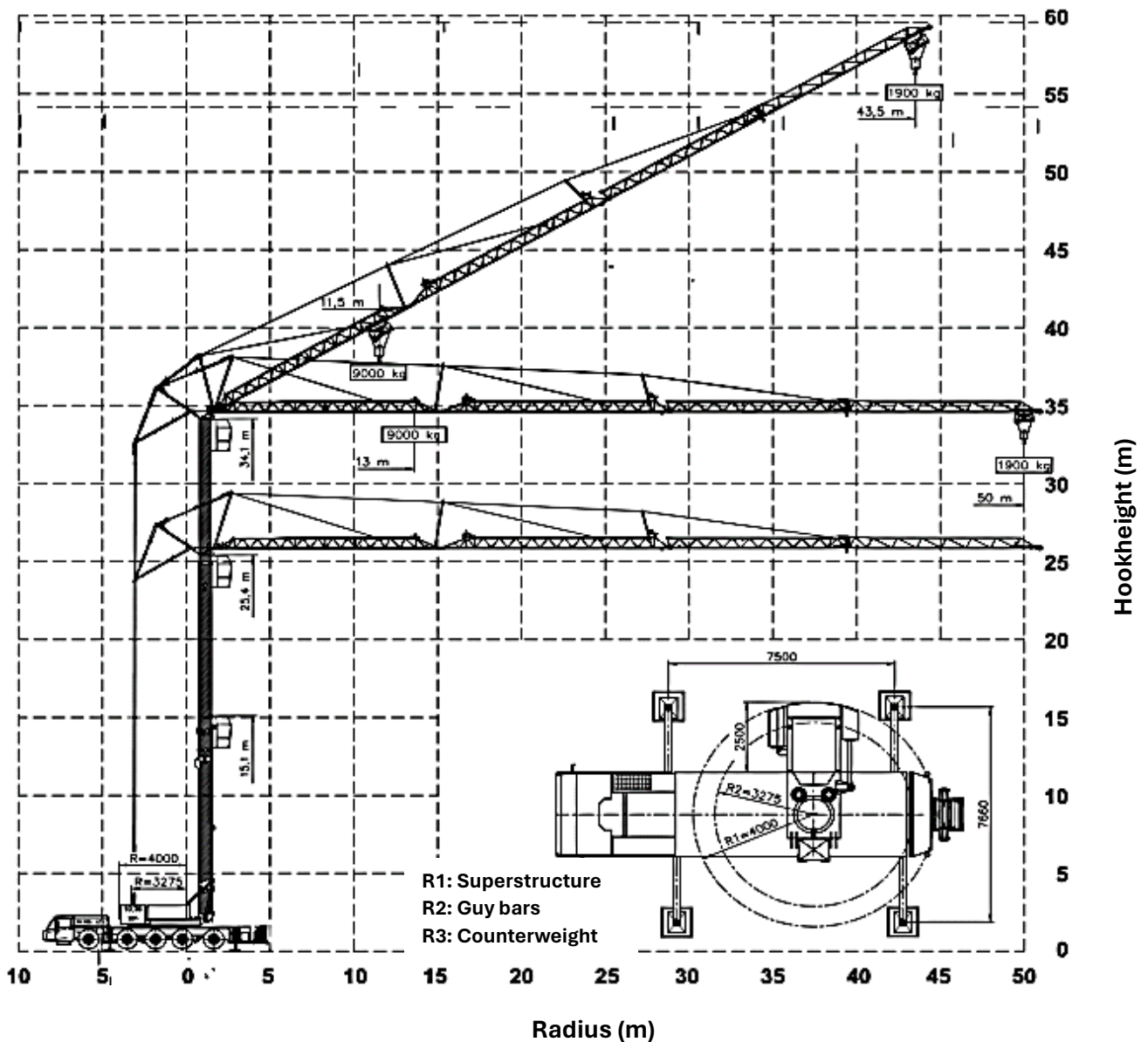
Merwedestraat 15

5347 KZ Oss NL

Tel. +31 (0)412-626964

Fax +31 (0)412-645299

www.spieringscranes.com



SPIERINGS SK599 AT5



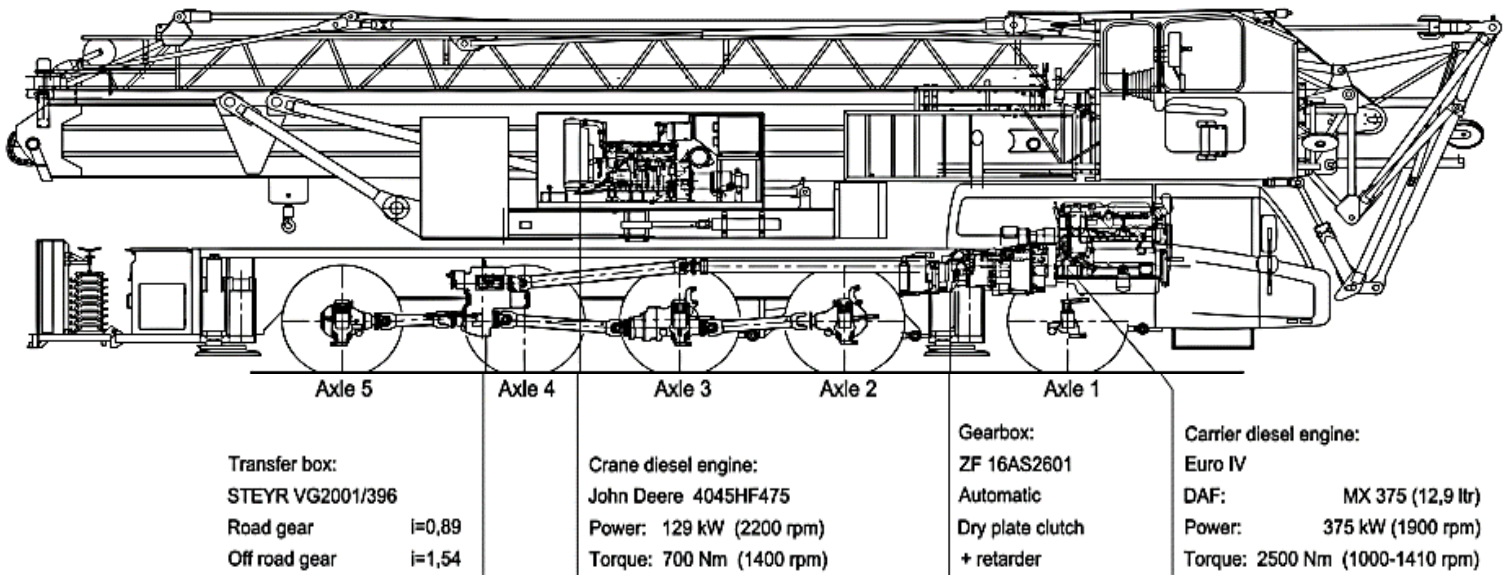
DM Cranes Ltd

MOBILE TOWER CRANES

www.dmcranes.co.uk

DRIVE TRAIN SPIERINGS FOLDING CRANE

DRIVE TRAIN SPIERINGS FOLDING CRANE



- Axle 1: Steer axle
- Axle 2: Steer drive axle
- Axle 3: Drive axle, non steered (end reduction $i=7,29$)
- Axle 4: Steer axle
- Axle 5: Steer axle

Tyres: 445/75 R22,5
 Suspension: hydro-pneumatic on all axles; stroke cyl:
 Max. speed carrier (engine at 1000 rpm) 247 mm
 Min. speed carrier (engine at 1000 rpm) 85 km/h
 Overall weight: 1,6 km/h
 60.000 kg.

SPIERINGS
MOBILE CRANES

Merwedestraat 15
 5347 KZ Oss NL
 Tel. +31 (0)412-626964
 Fax +31 (0)412-645299
www.spieringscranes.com

Tel: 03330 912002 | Email: office@dmcranes.co.uk

Northern depot | Southern depot

SPIERINGS SK599 AT5



DM Cranes Ltd

MOBILE TOWER CRANES

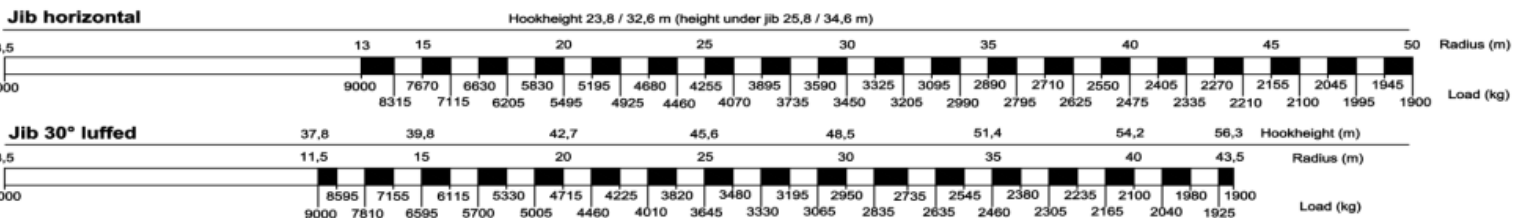
www.dmcranes.co.uk

SPIERINGS HYDRAULIC FOLDING CRANE

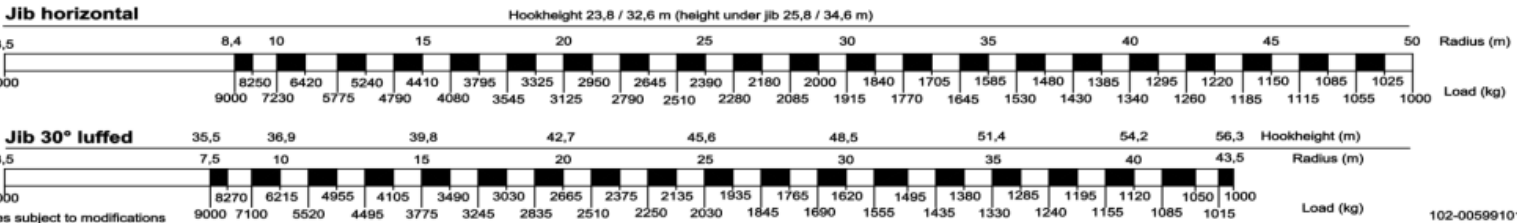


	Make: SPIERINGS Type: SK599-AT5														
	Crane specification														
Serial number <input type="text"/> Year of construction <input type="text"/>	Crane group : A3 as per FEM 1.001 Loadspectrum : Q1 as per FEM 1.001 Classification : U4 as per FEM 1.001 Stability : as per FEM 1.001	Max. load 9,0 tonne	Max.radius with max. load 13 m	Max. capacity 117 tm	Max. jib length 50 m										
Speeds <table border="1"> <tr> <th>m/min</th> <th>kg</th> </tr> <tr> <td>20</td> <td>9000</td> </tr> <tr> <td>32</td> <td>4500</td> </tr> <tr> <td>50</td> <td>2250</td> </tr> <tr> <td>75</td> <td>0</td> </tr> </table>	m/min	kg	20	9000	32	4500	50	2250	75	0	Jib horizontal / jib 30° luffed 0 - 70 m/min 0 - 0,9 rpm	All motions with hydraulic proportional controls. Luffing the jib 30° can be controlled from crane cab or by remote control. The crane should be folded in at wind force 9 (Bf) (21 m/sec) or when not in use for a longer period.	Counterweight crane: 10380 kg. Continues slewing (360°) with outriggers out and support pads down. Crane can be driven in its erected position under special conditions (refer user guide).	Rated lift capacity is net capacity. Always two parts of line. Max. line pull force: 4500 kg. Operating temperature range from: -15°C till + 40°C. Sail area of the load max.: 1,0 m² ton.	Outrigger positioned according to lifting chart Outrigger support base : 7,50 m x 7,66 m . Operation allowed up to wind force 8 Bf (17 m/sec). Outrigger support base : 7,50 m x 5,72 m . Operation allowed up to wind force 8 Bf (17 m/sec). Max. outrigger force: 440kN.
m/min	kg														
20	9000														
32	4500														
50	2250														
75	0														

Lifting chart Outrigger support base 7,50 m x 7,66 m



Lifting chart Outrigger support base 7,50 m x 5,72 m



Tel: 03330 912002 | Email: office@dmcranes.co.uk

Northern depot | Southern depot