



Yes, you can.®

E-spares cat Now Available Online
Please visit www.invacare.co.uk

| | |
|--------------------|--------------|
| Customer Name : | Account No : |
| Address : | Order No : |
| Tel Number : | Order Qty : |
| Delivery Address : | Order Date : |

Invacare® Action³ NG Transit
Dealer
Max User Weight 125Kg (19.7 stone)

Standard Features

- Transit Propulsion
- Choice of 7 Seat Widths 330mm to 505mm (13" - 20")
- Choice of 2 Seat Depths 400mm or 450mm (16" or 18")
- Choice of 3 Seat Heights 460mm to 510mm (18" - 20")
- Nylon Upholstery
- Fixed 7° 430mm Backrest
- Lumbar Support Padded Backrest with Shaped Cover
- 80° Swing In/Swing Out Legrest Hangers
- Flip Up Footplates
- Swing Away and Detachable Desk Arm Armrests
- Choice of 5 Colours
- Push to Lock Brakes
- Transportation Kit and Buckle Belt

Standard Base Price: £499



CUSTOMISE COLOUR
(SEE OPTION 0991)

* Configurations may vary to the image shown

Please make your selection with a cross in the box : Standard feature Free of Charge (NC9999) Non Conformance with 9999.

→ Customer weight = Kg

| Code | Description | NC's (Non Conformance) | Dealer |
|-----------------------------|--|------------------------|--------|
| MODEL | | | |
| CEF0004 | X ACTION ³ NG Transit | | £499 |
| CEFSPEC | ACTION 3NG Transit Special Basic Model - PLEASE COMPLETE DETAILS AT THE END OF THE FORM | | |
| PROPULSION TYPE | | | |
| CEF0110 | X TRANSIT PROPULSION | | ◆ |
| SEAT | | | |
| SEAT WIDTH | | | |
| | 330MM SEAT WIDTH (13") (lapbelt adjustment 420mm - 1520mm) SELECT SEAT WIDTH OPTION CEF0180 + IN-RIGGED ARMREST OPTION CEF0952 | | £33 |
| CEF0180 | 380 MM SEAT WIDTH (15") (lapbelt adjustment 420mm - 1520mm) | | ○ |
| CEF0190 | 405 MM SEAT WIDTH (16") (lapbelt adjustment 420mm - 1520mm) | | ○ |
| CEF0200 | 430 MM SEAT WIDTH (17") (lapbelt adjustment 420mm - 1520mm) | | ◆ |
| CEF0210 | 455 MM SEAT WIDTH (18") (lapbelt adjustment 420mm - 1880mm) | | ○ |
| CEF0220 | 480 MM SEAT WIDTH (19") (lapbelt adjustment 420mm - 1880mm) | | ○ |
| CEF0230 | 505 MM SEAT WIDTH (20") (lapbelt adjustment 420mm - 1880mm) | | ○ |
| SEAT DEPTH | | | |
| CEF0240 | 400MM SEAT DEPTH (16") (NC : 0842) | | ○ |
| CEF0250 | 450MM SEAT DEPTH (18") (NC : 0841) | | ◆ |
| CEF0252 | 400MM TO 450MM ADJUSTABLE SEAT DEPTH (Set at 17") (NC : 0330, 0350) | | £16 |
| SEAT HEIGHT | | | |
| CEF0260 | 510MM SEAT HEIGHT (20") | | ○ |
| CEF0270 | 485MM SEAT HEIGHT (19") | | ○ |
| CEF0280 | 460MM SEAT HEIGHT (18") | | ○ |
| SEAT UPHOLSTERY TYPE | | | |
| CEF0330 | NYLON WITHOUT VELCRO STRIPS SEAT UPHOLSTERY | | ◆ |
| CEF0340 | NYLON WITH VELCRO STRIPS SEAT UPHOLSTERY | | ○ |
| CEF0350 | PADDED NYLON SEAT UPHOLSTERY | | £24 |

Order No :

Customer Ref :

| BACKREST | | | |
|--|--|--|------|
| BACKREST TYPE Anti-tippers should be selected with reclining backrest 0430 and 0450 | | | |
| CEF0380 | FIXED 0° BACKREST 2 HEIGHTS 400/430MM (DELIVERED 430MM) FIXED PUSH HANDLES | (NC : 0471, SWO0001) | ○ |
| CEF0390 | FIXED 0° BACKREST 510MM HEIGHT FIXED PUSH HANDLES | (NC : 0471, SWO0001) | ○ |
| CEF0395 | FIXED 7° BACKREST HEIGHT ADJUST 380 TO 460MM (DELIVERED 380MM) FIXED PUSH HANDLES (follow upholstery height) | (NC : 0474, 0478, 0481, 0905, 0906, 0907, SWO0001) | £53 |
| CEF0396 | FIXED 7° BACKREST HEIGHT ADJUST 380 TO 460MM (DELIVERED 380MM) HEIGHT ADJUSTABLE PUSH HANDLES (independantly from upholstery height) | (NC : 0474, 0478, 0481, 0905, 0906, 0907, SWO0001) | £58 |
| CEF0410 | FIXED 7° BACKREST 2 HEIGHTS 400/430MM (DELIVERED 43 CM) FIXED PUSH HANDLES | (NC : 0471) | ◆ |
| CEF0420 | FIXED 7° BACKREST 510MM HEIGHT FIXED PUSH HANDLES | (NC : 0471) | ○ |
| CEF0425 | FIXED 7° BACKREST 430MM HEIGHT HEIGHT ADJUSTABLE PUSH HANDLE (150MM) | (NC : 0471, SWO0001) | £34 |
| CEF0430 | ANGLE ADJ. BACKREST (-6° TO +24°, BY STEP OF 6°) 400MM HEIGHT HEIGHT ADJUSTABLE PUSH HANDLE (110MM) | (NC : 0471, 0680, 0690, 0780, 0790, SWO0001) | £121 |
| CEF0450 | RECLINING (GAS SPRING) 0/30° BACKREST HEIGHT 470/490/510MM (DELIVERED 510MM), INCLUDING BACKBRACE | (NC : 0471, SWO0001, 0940) | £150 |
| CEF0455 | FOLDING BACKREST 430MM HEIGHT FIXED PUSH HANDLES | (NC : 0471) | £49 |
| CEF0460 | FOLDING BACKREST 510MM HEIGHT FIXED PUSH HANDLES | (NC : 0471, 0481) | £49 |
| BACKREST UPHOLSTERY TYPE | | | |
| CEF0465 | WITHOUT BACKREST UPHOLSTERY | | ○ |
| CEF0471 | BASIC NYLON SLING TYPE (JEMIMA) | (NC : 0905, 0906, 0907) | ○ |
| CEF0474 | LUMBAR SUPPORT (+1 STRAP) BI MATERIAL PADDED COVER INCL. BACK POCKET | | ○ |
| CEF0478 | CONTOUR ADJUSTABLE (HALF TENSION ADJUSTABLE, 3+1 STRAPS) BI MATERIAL PADDED COVER INCL. BACK POCKET (INCLUDING BACKBRACE) | (NC : 0940) | £25 |
| CEF0481 | CONTOUR ADJUSTABLE (FULL TENSION ADJUSTABLE, 7+1 STRAPS) BI MATERIAL PADDED COVER INCL. BACK POCKET (INCLUDING BACKBRACE) | (NC : 0940) | £95 |
| HANGERS/FOOTPLATES | | | |
| HANGERS RH TYPE | | | |
| CEF0510 | 80° STRAIGHT RH SWING IN/SWING OUT HANGER | | ◆ |
| CEF0520 | ELEVATING LEGREST (0° TO 80°) RH SWING IN/SWING OUT HANGER (INCLUDING CALFPAD) | (NC : 0611, 0930, 0936) | £72 |
| CEF0545 | AMPUTEE LEGREST RH | (NC : 0600, 0610, 0611, 0920, 0930, 0936) | £106 |
| HANGERS LH TYPE | | | |
| CEF0560 | 80° STRAIGHT LH SWING IN/SWING OUT HANGER | | ◆ |
| CEF0595 | AMPUTEE LEGREST LH | (NC : 0611, 0620, 0630, 0920, 0930, 0936) | £106 |
| FOOTPLATES RH TYPE | | | |
| CEF0600 | FLIP UP RH FOOTPLATE | | ◆ |
| CEF0610 | FLIP UP DEPTH & ANGLE AJUSTABLE RH FOOTPLATE | | £34 |
| CEF0611 | ONE PIECE FOOTPLATE | (NC: 0620, 0630, 0920, 0935, 0936) | £41 |
| FOOTPLATES LH TYPE | | | |
| CEF0620 | FLIP UP LH FOOTPLATE | | ◆ |
| CEF0630 | FLIP UP DEPTH & ANGLE AJUSTABLE LH FOOTPLATE | | £34 |

Order No :

Customer Ref :

| ARMRESTS | | | |
|-----------------------------|---|---|------|
| ARMRESTS RH FORM | | | |
| CEF0640 | REMOVABLE DESK ARM RH (N°1) ADJ 200-230-260-280MM HEIGHT. Autolock safety device included. | (NC : 0750, 0760, 0770, 0780, 0790, 0795, 0796, 1480) | ○ |
| CEF0650 | REMOVABLE FULL ARM RH (N°1) ADJ 200-230-260-280MM HEIGHT. Autolock safety device included. | (NC : 0740, 0760, 0770, 0780, 0790, 0795, 0796) | ○ |
| CEF0660 | SWING AWAY DETACHABLE DESK ARM RH (N°2) 240MM HEIGHT | (NC : 0740, 0750, 0770, 0780, 0790, 0795, 0796, 0952, 1480) | ◆ |
| CEF0670 | SWING AWAY DETACHABLE FULL ARM RH (N°2) 240MM HEIGHT | (NC : 0740, 0750, 0760, 0780, 0790, 0795, 0796, 0952) | ○ |
| CEF0680 | SWING AWAY DETACHABLE DESK ARM RH (N°3) ADJ. IN HEIGHT | (NC : 0740, 0750, 0760, 0770, 0790, 0795, 0796, 0832, 0952, 1480) | £44 |
| CEF0690 | SWING AWAY DETACHABLE FULL ARM RH (N°3) ADJ. IN HEIGHT & DEPTH | (NC : 0740, 0750, 0760, 0770, 0780, 0795, 0796, 0832, 0952) | £44 |
| CEF0695 | REMOVABLE DESK ARM RH (N°4) ADJ. IN HEIGHT. Autolock safety device included. | (NC : 0740, 0750, 0760, 0770, 0780, 0790, 0796, 0952, 1480) | £47 |
| CEF0696 | REMOVABLE FULL ARM RH (N°4) ADJ. IN HEIGHT & DEPTH. Autolock safety device included. | (NC : 0740, 0750, 0760, 0770, 0780, 0790, 0795, 0952) | £47 |
| CEF0732 | REMOVABLE RH (N°4) ARMPAD HEMI DARTEX MULTI POSITION. Autolock safety device included. | (NC : 0780, 0790, 0795, 0796, 0952, 1480) | £46 |
| ARMRESTS LH FORM | | | |
| CEF0740 | REMOVABLE DESK ARM LH (N°1) ADJ 200-230-260-280MM HEIGHT. Autolock safety device included. | (NC : 1480) | ○ |
| CEF0750 | REMOVABLE FULL ARM LH (N°1) ADJ 200-230-260-280MM HEIGHT. Autolock safety device included. | | ○ |
| CEF0760 | SWING AWAY DETACHABLE DESK ARM LH (N°2) 240MM HEIGHT | (NC : 1480, 0952) | ◆ |
| CEF0770 | SWING AWAY DETACHABLE FULL ARM LH (N°2) 240MM HEIGHT | (NC: 0952) | ○ |
| CEF0780 | SWING AWAY DETACHABLE DESK ARM LH (N°3) ADJ. IN HEIGHT | (NC : 0952, 1480) | £44 |
| CEF0790 | SWING AWAY DETACHABLE FULL ARM LH (N°3) ADJ. IN HEIGHT & DEPTH | (NC: 0952) | £44 |
| CEF0795 | REMOVABLE DESK ARM LH (N°4) ADJ. IN HEIGHT. Autolock safety device included. | (NC : 0952, 1480) | £47 |
| CEF0796 | REMOVABLE FULL ARM LH (N°4) ADJ IN HEIGHT & DEPTH. Autolock safety device included. | | £47 |
| CEF0832 | REMOVABLE LH (N°4) ARMPAD HEMI DARTEX MULTI POSITION. Autolock safety device included. | (NC : 0952, 1480) | £46 |
| SEATING OPTIONS TYPE | | | |
| CEF0841 | 50MM FOAM CUSHION DEPTH 400MM NYLON & ANTI-SLIP COVER | (NC : 0952) | £16 |
| CEF0842 | 50MM FOAM CUSHION DEPTH 450MM NYLON & ANTI-SLIP COVER | (NC : 0952) | £16 |
| CEF0905 | NECKREST, DARTEX (INCLUDING BACKBRACE) | (NC : 0940) | £105 |
| CEF0906 | HEADREST, DARTEX (INCLUDING BACKBRACE) SIDEWAYS ADJUSTABLE | (NC : 0940) | £126 |
| CEF0907 | HEADREST WITH CHEEK SUPPORT, DARTEX (INCLUDING BACKBRACE) SIDEWAYS ADJUSTABLE | (NC : 0940) | £145 |
| SWO0001 | MULTI ADJUSTABLE SWING AWAY LATERAL SUPPORTS (PAIR). <i>IMPORTANT NOTE: THIS OPTION IS ONLY AVAILABLE AS A SPECIAL ORDER. LEAD TIME 2-3 WEEKS. ONLY AVAILABLE WITH BACKREST OPTIONS: 0410, 0420, 0455 & 0460.</i> | | £226 |
| CEF0920 | ADJUSTABLE HEELS STRAP | | £16 |
| CEF0930 | ADJUSTABLE CALF STRAP | | ◆ |
| CEF0935 | LONGER FOOTREST TUBE | (NC:0936) | £24 |
| CEF0936 | SHORTER FOOTREST SUPPORT (PAIR) FOR SHORTER KNEE TO HEEL MEASUREMENTS: (230MM - 430MM WITH 0600 & 0620, 250MM - 380MM WITH 0610 & 0630). | | £33 |
| CEF0940 | BACKBRACE | | £16 |
| CEF0952 | IN-RIGGED ARMREST OPTION (SEAT WIDTH LESS 50MM) | (NC : 1480) | £33 |
| COLOURS | | | |
| CEF0960 | DARK RED | | ○ |
| CEF0961 | SLATE GREY | | ○ |
| CEF0963 | OCEAN BLUE | | ○ |
| CEF0964 | PEARL WHITE | | ○ |
| CEF0980 | ANTHRACITE BLACK | | ○ |
| CEF0991 | SPECIAL COLOUR (ON DEMAND ONLY - 2 WEEK LEAD TIME) | | £110 |
| FRONT WHEELS | | | |
| CEF1010 | 200MM x 30MM (8" x 1.1/4") SOLID TYRE | | ◆ |
| CEF1030 | 200MM x 50MM (8" x 2") SOLID TYRE | | £22 |

| REAR WHEELS | | | |
|--|---|---|---------------------|
| REAR WHEEL TYPE | | | |
| CEF1120 | | 300MM x 50MM (12" x 2") PNEUMATIC TYRE PLASTIC RIM | ◆ |
| CEF1130 | | 300MM x 50MM (12" x 2") SOLID TYRE PLASTIC RIM | £28 |
| REAR WHEELS AXLE TYPE | | | |
| CEF1170 | X | FIXED AXLE | ◆ |
| REAR WHEELS POSITION | | | |
| CEF1200 | | PASSIVE REAR WHEELS POSITION | ◆ |
| CEF1201 | | DUAL AMPUTEE REAR WHEEL POSITION (REAR WHEEL 75MM BEHIND BACKREST TUBE, ADJ. TO 50MM) (NC : 1280) | £57 |
| PUMP | | | |
| CEF1230 | | PUMP AND SUPPORT | £11 |
| BRAKES TYPE - NOTE: A brake option MUST be selected | | | |
| CEF1270 | | PUSH TO LOCK BRAKES | ◆ |
| CEF1280 | | ATTENDANT HUB BRAKES (INCLUDING PUSH TO LOCK BRAKES) AVAILABLE WITH SOLID TYRES | £121 |
| SAFETY OPTIONS TYPE | | | |
| CEF1345 | X | TRANSPORTATION KIT INCLUDING BUCKLE BELT | ◆ |
| CEF1370 | | REAR ANTI-TIPPERS PAIR (NC : 1375, 1440, 1441) | £29 |
| CEF1375 | | REAR ANTI-TIPPERS PAIR WITH TIPPING AID (REA TYPE) (NC : 1440, 1441) | £57 |
| ATTENDANT OPTIONS TYPE | | | |
| CEF1430 | | CANE HOLDER | £16 |
| CEF1440 | | TIPPING AID RH | £11 |
| CEF1441 | | TIPPING AID LH | £11 |
| ACCESSORIES TYPE | | | |
| CEF1461 | | USER TOOL KIT | ○ |
| CEF1480 | | ACRYLIC TRAY | £83 |
| | | | Total price: |

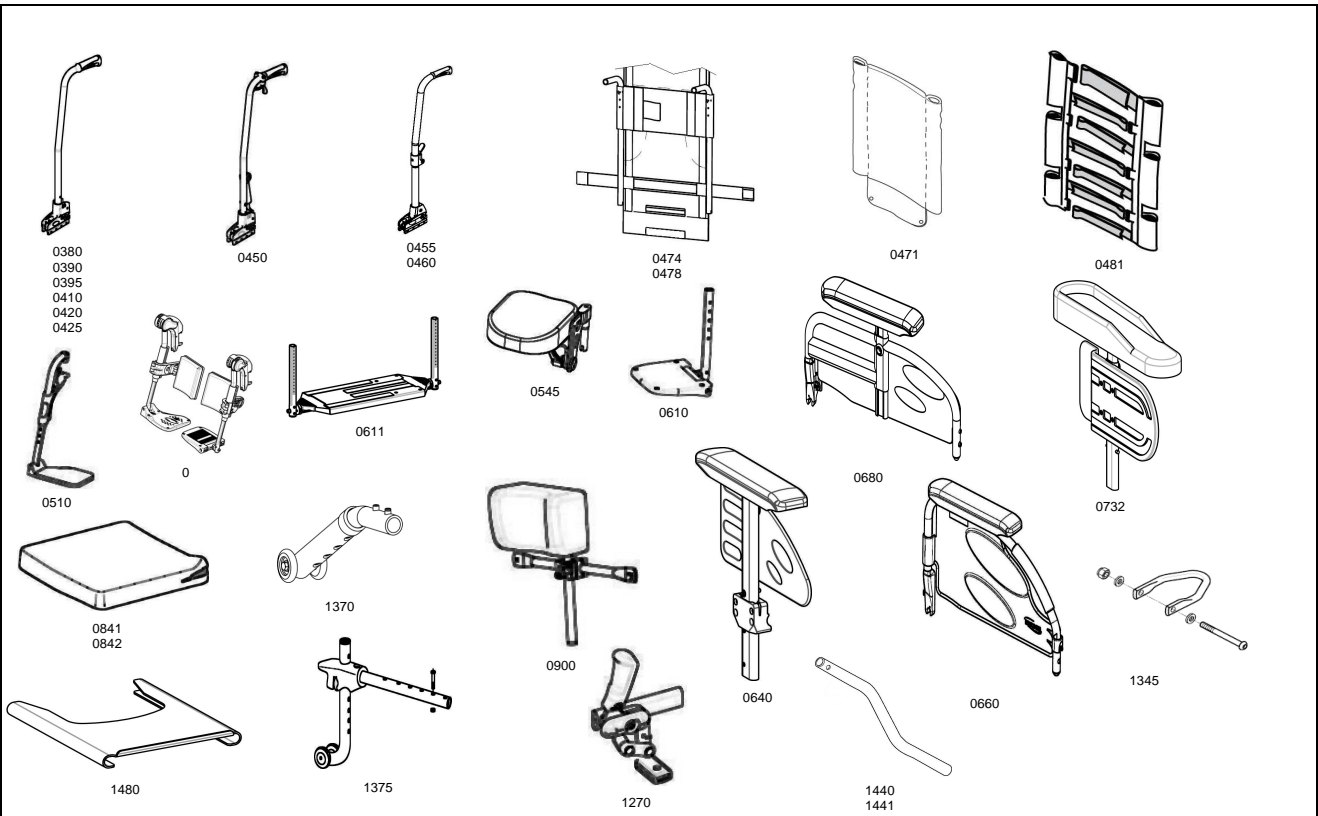
Order No :

Customer Ref :

| Non Conforming Options: | |
|--------------------------------|---|
| CEF0330 | NYLON WITHOUT VELCRO STRIPS SEAT UPHOLSTERY |
| CEF0350 | PADDED NYLON SEAT UPHOLSTERY |
| CEF0471 | STANDARD NYLON SLING TYPE (JEMIMA) |
| CEF0474 | LOMBAR SUPPORT (+1 STRAP) BI MATERIAL PADDED COVER INCL. BACK POCKET |
| CEF0478 | CONTOUR ADJUSTABLE (HALF TENSION ADJUSTABLE, 3+1 STRAPS) BI MATERIAL PADDED COVER INCL. BACK POCKET (INCLUDING BACKBRACE) |
| CEF0481 | CONTOUR ADJUSTABLE (FULL TENSION ADJUSTABLE, 7+1 STRAPS) BI MATERIAL PADDED COVER INCL. BACK POCKET (INCLUDING BACKBRACE) |
| CEF0600 | FLIP UP RH FOOTPLATE |
| CEF0610 | FLIP UP DEPTH & ANGLE AJUSTABLE RH FOOTPLATE |
| CEF0611 | ONE PIECE FOOTPLATE - DEPTH & ANGLE ADJUSTABLE |
| CEF0620 | FLIP UP LH FOOTPLATE |
| CEF0630 | FLIP UP DEPTH & ANGLE AJUSTABLE LH FOOTPLATE |
| CEF0680 | SWING AWAY DETACHABLE DESK ARM RH (N°3) TUBULAR ADJ. IN HEIGHT |
| CEF0690 | SWING AWAY DETACHABLE FULL ARM RH (N°3) TUBULAR ADJ. IN HEIGHT & DEPTH |
| CEF0740 | REMOVABLE DESK ARM LH (N°1) ADJ 20-23-26- 28 CM HEIGHT |
| CEF0750 | REMOVABLE FULL ARM LH (N°1) ADJ 20-23-26-28 CM HEIGHT |
| CEF0760 | SWING AWAY DETACHABLE DESK ARM LH (N°2) 24 CM HEIGHT |
| CEF0770 | SWING AWAY DETACHABLE FULL ARM LH (N°2) 24 CM HEIGHT |
| CEF0780 | SWING AWAY DETACHABLE DESK ARM LH (N°3) TUBULAR ADJ. IN HEIGHT |
| CEF0790 | SWING AWAY DETACHABLE FULL ARM LH (N°3) TUBULAR ADJ. IN HEIGHT & DEPTH |
| CEF0795 | REMOVABLE DESK ARM LH (N°4) ADJ. IN HEIGHT |
| CEF0796 | REMOVABLE FULL ARM LH (N°4) ADJ IN HEIGHT & DEPTH |
| CEF0832 | REMOVABLE LH (N°4) ARMPAD HEMI DARTEX MULTI POSITION |
| CEF0905 | NECKREST, DARTEX (INCLUDING BACKBRACE) |
| CEF0906 | HEADREST, DARTEX (INCLUDING BACKBRACE) SIDEWAYS ADJUSTABLE |
| CEF0907 | HEADREST WITH CHEEK SUPPORT, DARTEX (INCLUDING BACKBRACE) SIDEWAYS ADJUSTABLE |
| CEF0920 | ADJUSTABLE HEELS STRAP |
| CEF0930 | ADJUSTABLE CALF STRAP |
| CEF0935 | LONGER FOOTREST TUBE |
| CEF0936 | SHORTER FOOTREST SUPPORT (PAIR) |
| CEF0940 | BACKBRACE |
| CEF0952 | IN-RIGGED ARMREST |
| CEF1280 | ATTENDANT HUB BRAKES (INCLUDING PUSH TO LOCK BRAKES) |
| CEF1375 | REAR ANTI-TIPPERS PAIR WITH TIPPING AID (REA TYPE) |
| CEF1440 | TIPPING AID RH |
| CEF1441 | TIPPING AID LH |
| CEF1480 | ACRYLIC TRAY |

Order No :

Customer Ref :



Special Instructions - Please supply the following information, and your preferred acknowledgement method:

Name:

Email:

Fax:

Description of special request (please include relevant option code):